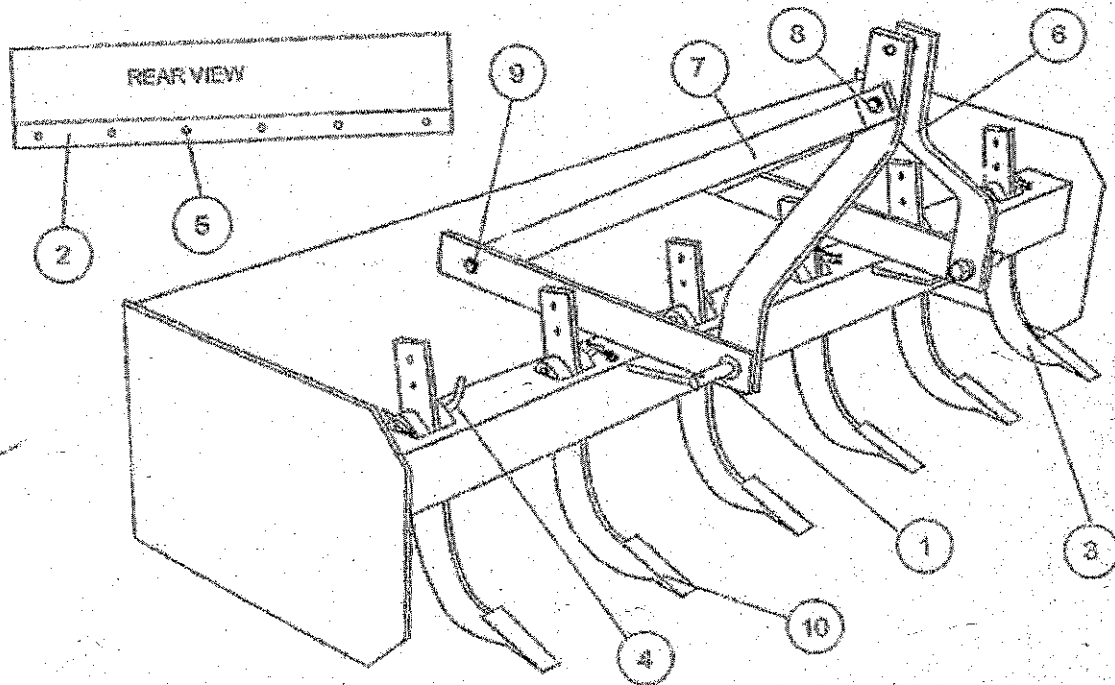


# 4'5'6' BOX BLADE



Ref. No.	Part Name
1	(Cat 1) Lift Pin (2/pk)
2	Cutting Edge
3	Ripper Shank /w Tooth
4	"L" Pin /w Hair Pin 6/pk
5	Cutting Edge Mounting Bolt Set 12/pk
6	Lift Arm
7	Lift Arm Brace
8	5/8 x 4-1/2 Lift Arm Spacer Kit
9	5/8 x 2 Bolt
10	Tooth